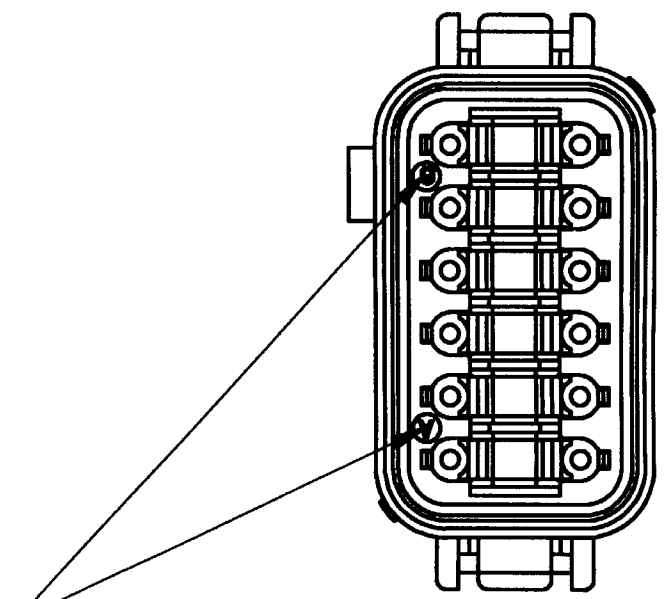
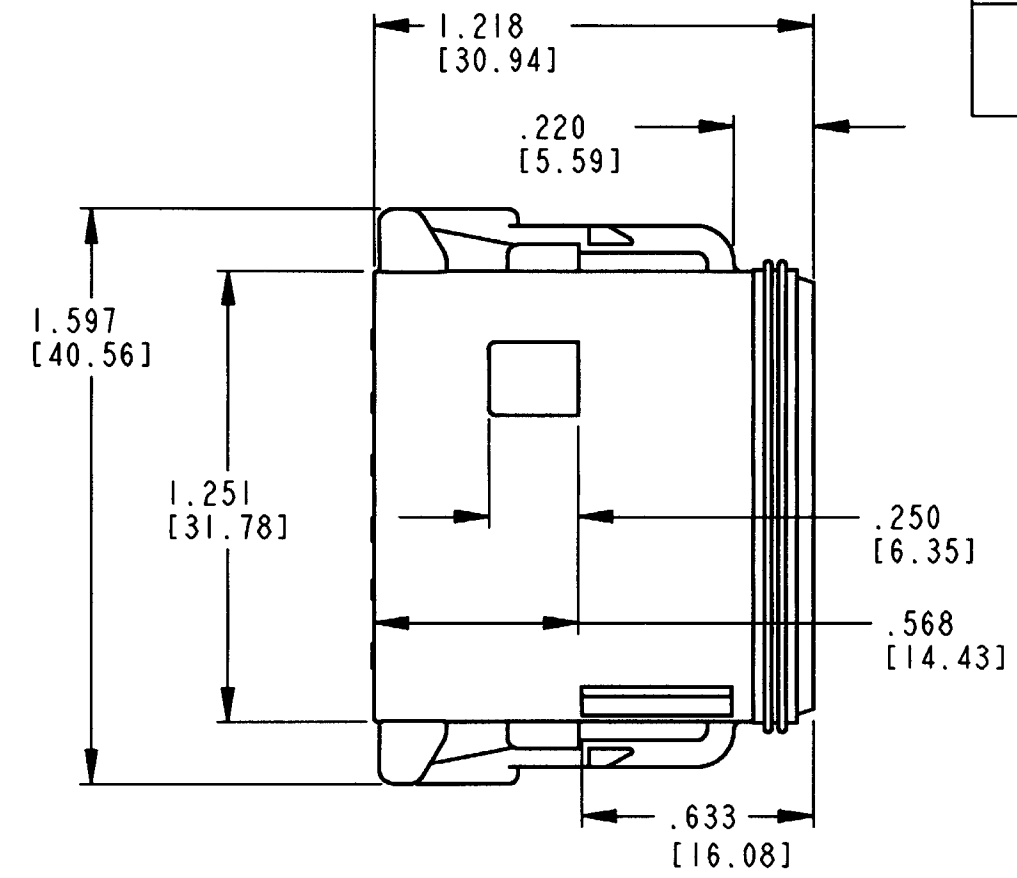
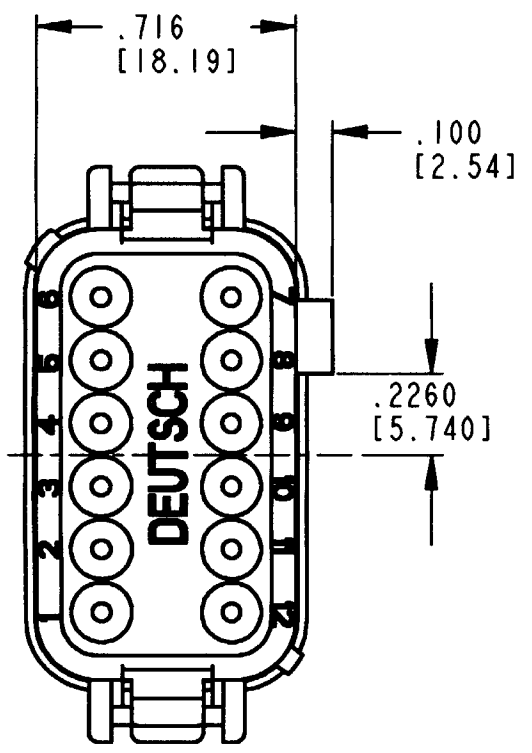


REV
A DT06-12SC-B016

REVISIONS			
SYM	DESCRIPTION	DATE	APPROVED
NC	NEW RELEASE PER E.O. P15131	9/26/96	R.D.R
A	REVISED PER E.O. P17422	9-5-01	RDR

CONTACT SIZE	MIN. INSUL. O.D.	MAX. INSUL. O.D.	WIRE RANGE [mm ²] REF ONLY ³
16	.088 [2.23]	.145 [3.68]	14-20 AWG [2.0-0.5]



DATE CODE
MONTH IS REPRESENTED BY SEQUENTIAL ALPHA CHARACTERS.
EX: A = JANUARY
YEAR IS REPRESENTED BY LAST NUMERICAL DIGIT.
EX: 0 = 2000.

4. THIS PLUG MATES WITH DT04-12PC-**** RECEPTACLE. (**** = ALL MODIFICATIONS) CONSULT FACTORY FOR MODIFICATIONS.
- ³ FOR CONTACTS AND WIRE PERFORMANCE AND APPLICATION CHARACTERISTICS SEE ENVELOPE DRAWINGS 0425-015-0000 AND 0425-017-0000.
2. ALL DIMENSIONS ARE ±.025[.63].
1. ALL DIMENSIONS ARE IN INCHES [METRIC].

NOTES:

PLUG INSERTS INTO RCPT. WITHIN THIS DISTANCE.

SIGNATURE & DATE	
DR	T. YOHANNES 30AUG01
CHK	R. Bohn 7/4/01
PE	F. Bohn 9/4/01
APPD	B. Bohn 9/4/01
SCALE	NONE WT

12 WAY PLUG
-B016 MOD.
KEY ARR. -C-
COLOR: GREEN
D.T. SERIES

ENVELOPE

CP	MATL CODE
The Deutch Company DEUTSCH I.P.D. 3850 INDUSTRIAL AVE. HEMET, CALIF. 92545	
B	DT06-12SC-B016
DWG SIZE	CODE 11139 SHEET OF